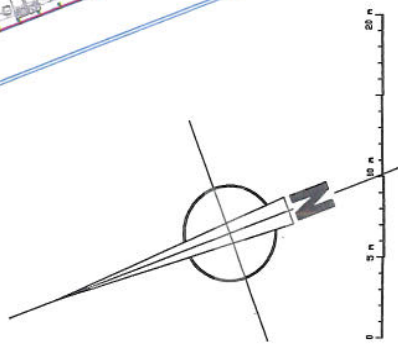


EUROPEAN COMMISSION
OFFICE FOR INFRASTRUCTURE
AND LOGISTICS - BRUSSELS
OIB

CHAR CHARLEMAGNE - FLOOR 0

DOMAIN : Cloisons	DESCRIPTION :	INDEX : C (VC)
REF : char0001.dwg	DATE : 22/06/2001	SCALE : 1/400
<small>THIS DOCUMENT IS THE PROPERTY OF THE EUROPEAN COMMISSION IT SHALL NOT BE REPRODUCED OR TRANSMITTED IN ANY FORM OR BY ANY MEANS, WITHOUT PERMISSION</small>		FORMAT : A3 DATE : 26/06/2008 DRAWN BY : Philippe Roulet





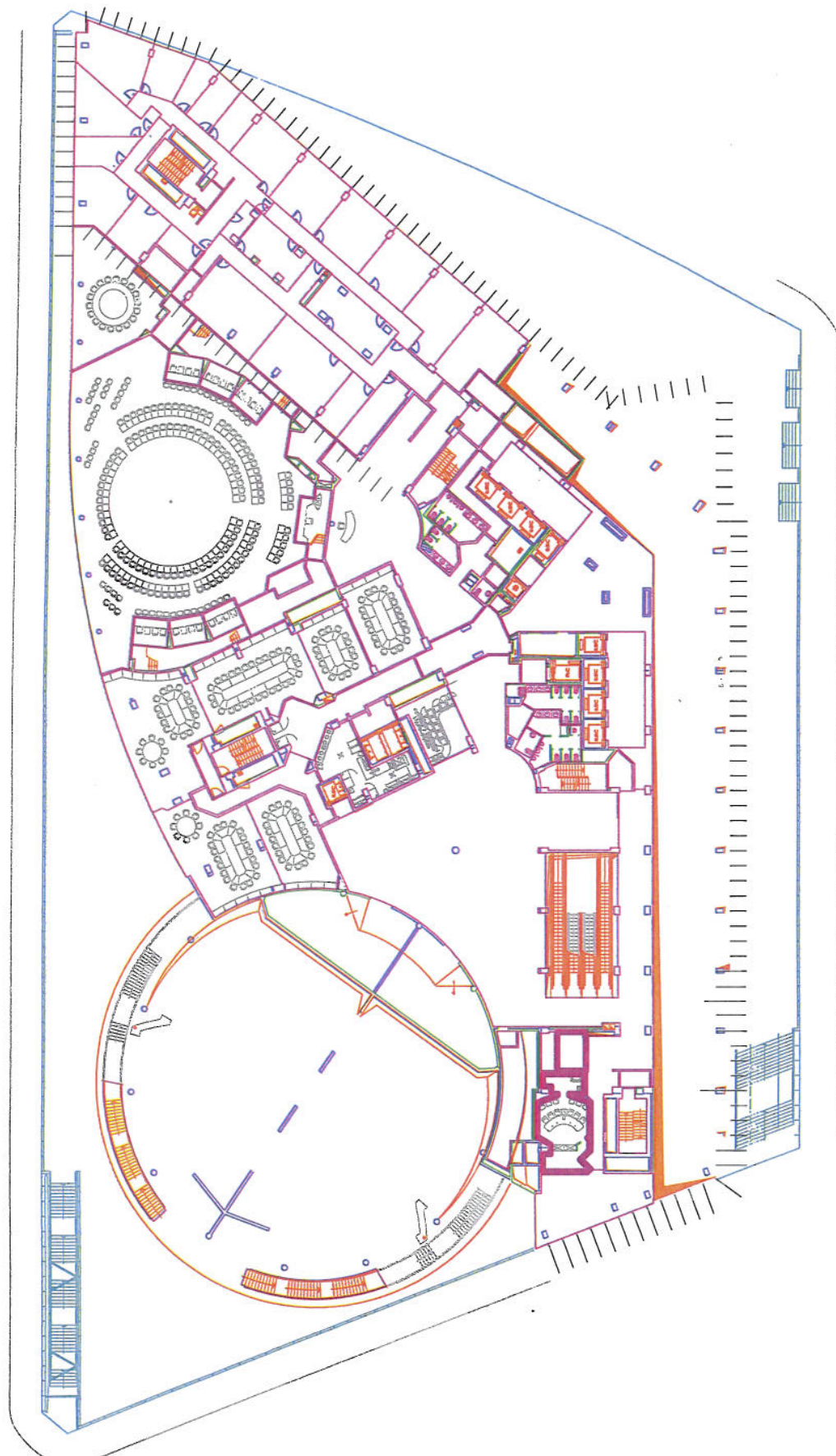
EUROPEAN COMMISSION
OFFICE FOR INFRASTRUCTURE
AND LOGISTICS - BRUSSELS

OIB - PROJETS IMMOBILIERS

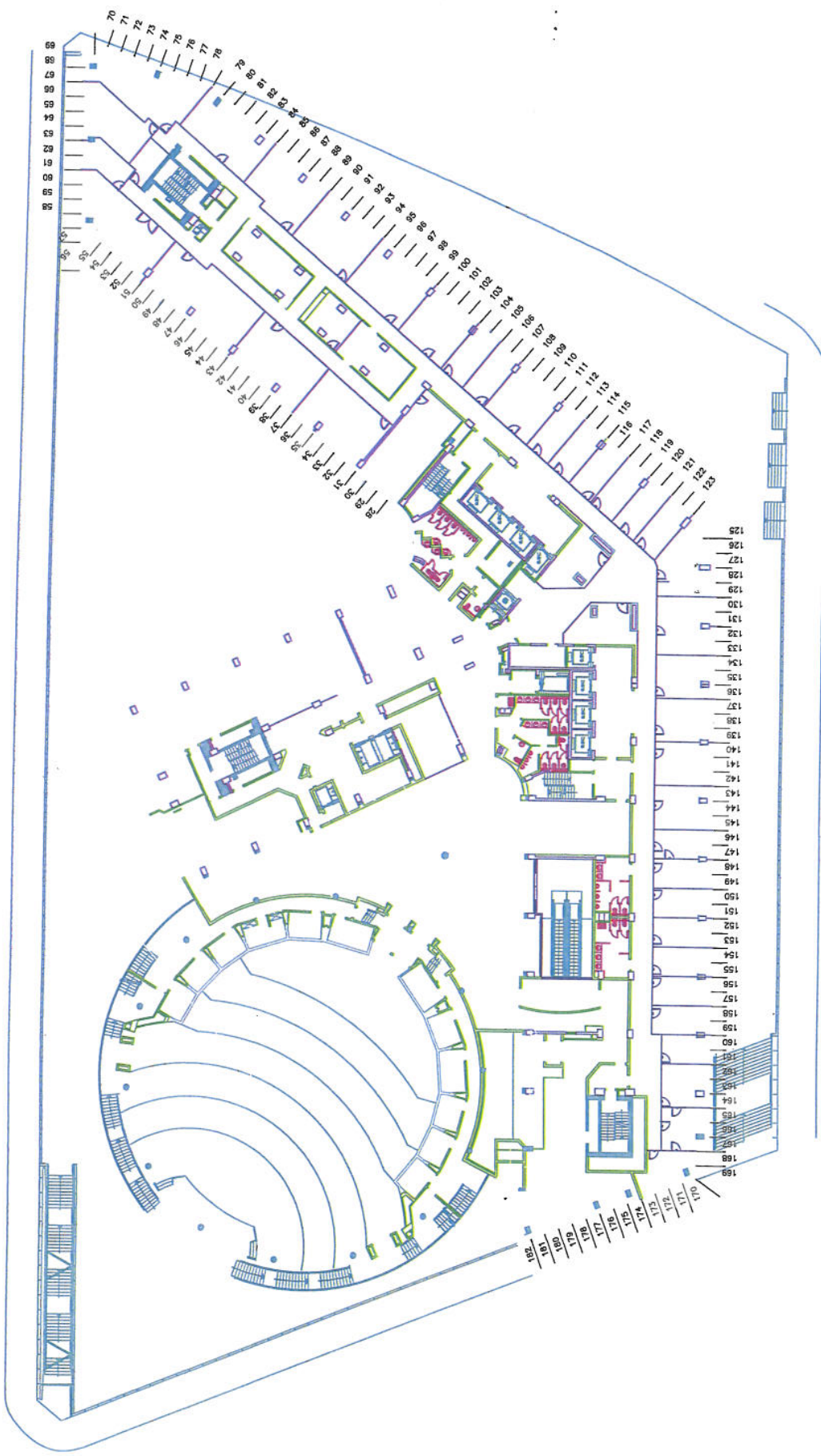
CHAR - CHARLEMAGNE - FLOOR 1



CHAR



DOMAIN : Cloisons	DESCRIPTION :	INDEX : B (VC)
REF : CHAR001L.DWG	DATE : 22/06/2001	SCALE : 1/400
THIS DOCUMENT IS THE SOLE PROPERTY OF THE EUROPEAN COMMISSION. IT SHALL NOT BE REPRODUCED OR TRANSMITTED IN ANY FORM OR BY ANY MEANS, ELECTRONIC OR MECHANICAL, INCLUDING PHOTOCOPYING, RECORDING, OR BY ANY INFORMATION STORAGE AND RETRIEVAL SYSTEM, WITHOUT PERMISSION IN WRITING FROM THE EUROPEAN COMMISSION.		
	FORMAT : A3	DATE : 05/12/07
		DRAWN BY : Philippe Roulet



EUROPEAN COMMISSION
OFFICE FOR INFRASTRUCTURE
AND LOGISTICS - BRUSSELS



OIB

CHAR

CHARLEMAGNE - FLOOR 2

DOMAIN : Cloisons	DESCRIPTION :	INDEX : G(AD)
REF : CHAR002L.DWG	DATE : 13-04-99	FORMAT : A3
THIS DOCUMENT IS THE SOLE PROPERTY OF THE EUROPEAN COMMISSION IT SHALL NOT BE DISCLOSED OR REPRODUCED WITHOUT ITS WRITTEN AUTHORIZATION		DATE : 26/06/2008
		DRAWN BY : Philippe Roulet
		SCALE : 1/400